

# SPRINGFIELD 36

DIRECT VENT GAS FIREPLACE



Springfield 36 shown with an Arched Mission Screen front with optional LedgeStone refractory

QUALITY FIREPLACES FOR LIFE.

KOZY  HEAT  
FIREPLACES

# SPRINGFIELD 36

## Fronts



**Rectangle Screen Front**  
No Refractory  
*Screen Front available in Black*



**Arched Prairie Screen Front**  
with optional Black Glass Refractory  
*Screen Front available in Black*



**Full Rectangle Screen Front**  
with optional Brick Refractory  
*Screen Front available in Black, Antique Copper, Brushed Nickel*



**Rectangle Full Prairie Screen Front**  
with optional Rustic Brick Refractory  
*Screen Front available in Black*



**Arched Full Prairie Door**  
with optional Limestone Refractory  
*Screen Front available in Black*



**Rectangle Mission in Weathered Charcoal**  
with optional Limestone Refractory  
*Screen Front available in Weathered Charcoal, Vintage Bronze*



**Arched Mission in Vintage Bronze**  
with optional Rustic Brick Refractory  
*Screen Front available in Weathered Charcoal, Vintage Bronze*



Springfield 36 shown with a Full Rectangle Brushed Nickel screen front and optional Masonry Refractory

# SPRINGFIELD 36

## Optional Refractory



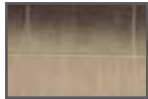
Traditional Brick



Rustic Brick



LedgeStone



Masonry



Black Glass

*Springfield 36 comes standard with black firebox*

## Springfield 36 IPI Control



Komfort Kontrol Remote

# SPRINGFIELD 36

Fireplace brochures are for advertising purposes only. Refer to the specific fireplace manual for installation.

## Specifications

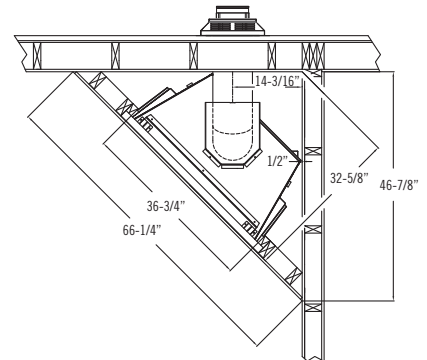
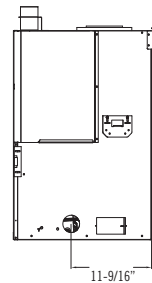
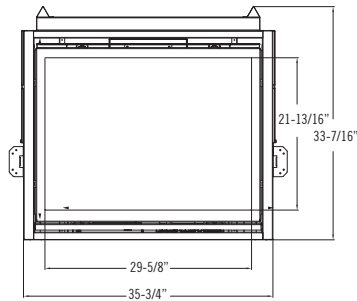
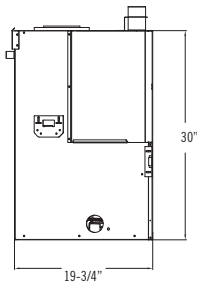
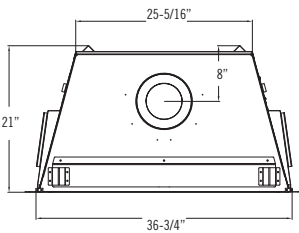
TOP

LEFT SIDE

FRONT

RIGHT SIDE

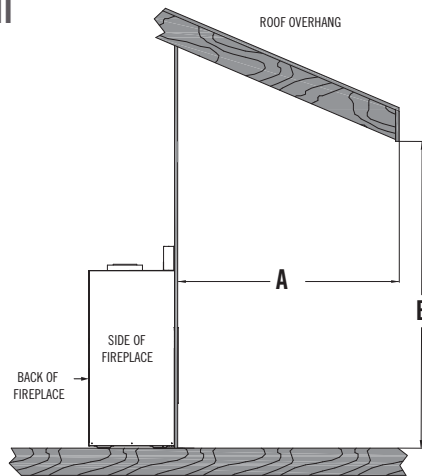
CORNER



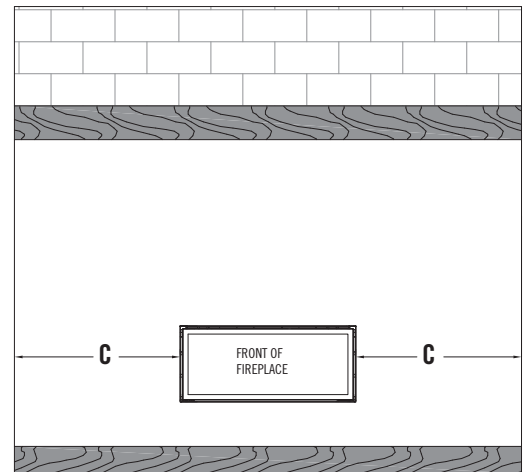
## Outdoor Covered Fireplace Install

- Fireplace operation is approved from 40° F to 110° F
- All wiring connections shall be in accordance with outdoor requirements of NECA NFPA 70
- All clearances and requirements in your appliance manual must be adhered to

**EXAMPLE:** If roofline (B) is 10 ft. above the base of the fireplace, the overhang (A) must be 5 ft. or greater. The width of the overhang to EACH side of the fireplace (C) must be 5 ft. or greater.



The overhang (A) must be a minimum of 1/2 or greater of the roofline elevation (B) above the base of the fireplace.



The width of the overhang to each side of the appliance (C) must be a minimum of 1/2 or greater of the roofline elevation (B) above the base of the fireplace.

## Clearances

| Model  | Springfield 36 |
|--|----------------|
| From Fireplace Top to 3/4 Trim                                   | 4"             |
| From Unit Left & Right Sides & Back Standoffs                    | 0"             |
| From Fireplace Corners   | 1/2"           |
| From Appliance Front   | 36"            |
| Fireplace Bottom Standoffs to Flooring                           | 0"             |
| Fireplace Top to Ceiling   | 29-1/4"        |
| Fireplace Enclosure Floor to 3/4" Trim                           | 35"            |
| Fireplace Enclosure Floor to Combustible Mantel 4" Maximum Depth | 37"            |
| Unit side to adjacent parallel sidewall                          | 6"             |
| Minimum Height of Fireplace Enclosure                            | 59-1/4"        |

Refer to the installation manuals for complete installation & venting requirements. See additional mantel clearance configurations in the installation manual.

Features, Options & Specifications are subject to change.

Each unit factory tested  
Certified to ANSI Z21.88 Vented Gas Heaters

| Model                 | Springfield 36  |
|-----------------------|---|
| Height                | 30"   |
| Width                 | 35-3/4"   |
| Back Width            | 25-5/16"  |
| Depth                 | 19-3/4"   |
| Weight                | 210 lbs   |
| Viewing Area          | 29-5/8" x 21-13/16"   |
| BTU NG High / Low     | 35,000 / 18,000   |
| BTU LP High / Low     | 35,000 / 18,000   |
| ENERGUIDE P.4 NG / LP | 77.5% / 76.86%  |
| Steady State NG / LP  | 79.55% / 78.43%   |
| AFUE % NG / LP        | 73.88% / 72.16%   |
| Valve System          | IPI   |
| Optional Refractory   | Ledgestone, Masonry, Traditional Brick, Rustic Brick, Black Glass |
| Ceramic Glass         | Standard  |
| Fan Kit               | Standard  |
| Ember Bed Lighting    | Standard  |
| Screen Front          | Required  |

## Burn Video



In order to continually provide the highest quality product available, features/options, specifications & dimensions are subject to change. Refer to the unit installation manual for complete installation instructions. Installation must conform with local building codes. **In some regions it may be possible that this appliance qualifies for an energy rebate. See your local dealer for details regarding promotions and qualifications.**

Manufactured by Husson Mfg. Co., Inc.  
204 Industrial Park Road, Lakefield, MN 56150  
Phone 1-800-253-4904 www.kozyheat.com

3-20



Product Line:



For complete information on the Kozy Heat product line, please contact us at:

FOR CALIFORNIA RESIDENTS ONLY

⚠ California Proposition 65 Warning

**WARNING:** This product can expose you to chemicals including Carbon Monoxide, that is an externally vented by-product of fuel combustion, which is [are] known to the State of California to cause birth defects or other reproductive harm. For more information, visit www.P65Warnings.ca.gov.